

Three-phase meter with CTs quick installation guide

1. Scope

This type of inverter integrate the export power limitation function, to use this function, please refer this installation guide to install the three-phase meter and CTs. Then set the inverter.

2. Three-phase installation

This meter is suitable for the following Solis inverter models :

Solis-3P(5-20)K-4G



NOTE:

The meter has been preset for direct installation on site. No need to change any parameters on the meter.



WARNING:

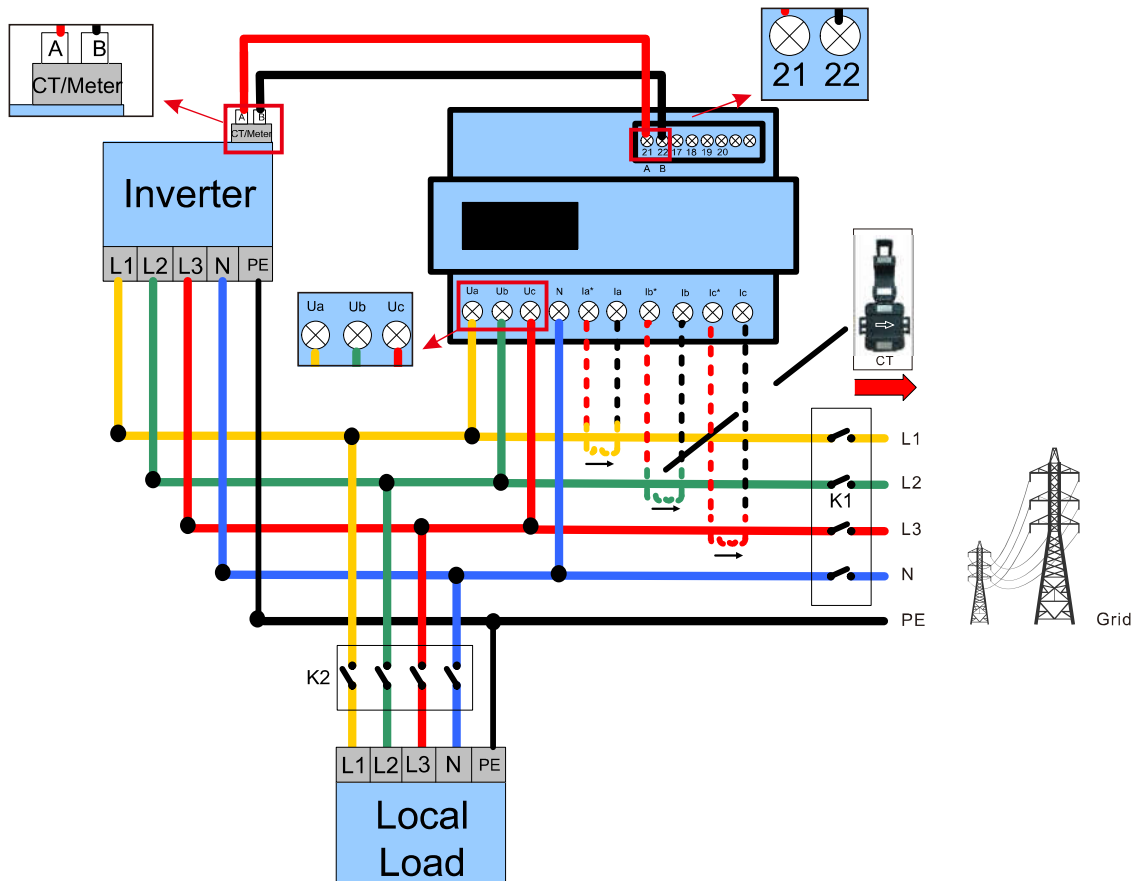
Please disconnect or switch off the upstream and downstream electrical connection before conduct the meter installation.

Otherwise there will be risk of electric shock.

The three-phase meter with CTs



System drawing



**NOTE:**

1. When connect the meter, make sure the mark "Ua", "Ub", "Uc" are connected at the grid side "L1", "L2", "L3".
2. The red cable of CT connect to the mark "Ia*", "Ib*", "Ic*", and the black cable connect to the "Ia", "Ib", "Ic".
3. The CT arrow should be towards to the Grid side.

3. Setting on the inverter (default setting is "OFF")

Enter the menu.

Advanced Settings → 0010 → Internal EPM Set → Mode Select → Meter in Grid → Select "ON"

4. Meter Specification

Model Name	DTSD1352
Grid Topology	3P+N
Rated Voltage	3*220/380V
Input Current	3*1(6)A (External CTs)
Accuracy	Voltage $\pm 0.2\%$ Current $\pm 0.2\%$ Power(P,Q,S) $\pm 0.5\%$ Active Energy Class 0.5S/1 Reactive Energy Class 2
Operating Temperature	-25°C~55°C
Relative Humidity	<95% (Non-condensing)
Dimension	126.5L*88.2W*69.5H (mm)



Certificate of Compliance

No. 1N171228.AQD24

Certificate's
Holder:

Acrel Co., Ltd.
No. 253, Yulv Road, Jiading District, Shanghai China

Manufacturer:

Jiangsu Acrel Electric MFG. Co., Ltd.
No.5, Dongmeng Road, Nanzha Street, Jiangyin
City Jiangsu Province

Certification ECM
Mark:



Product:
Model(s):

Three-Phase Electronic Meter
DTSD1352, DTSY1352, ADL3000-E, ADL300-EY

Verification to:

Standard:
EN 60950-1:2006/A2:2013, EN 61000-6-1:2007,
EN 61000-6-3:2007/A1:2011/AC:2012,
EN 61000-3-12:2011, EN 61000-3-3:2013

related to CE Directive(s):
2014/35/EU (Low Voltage)
2014/30/EU (Electromagnetic Compatibility)

Remark: The product(s) has been verified on a voluntary basis. The product(s) satisfies the requirements of the Certification Mark of ECM, in reference to the above listed Standard(s). The above Compliance Mark can be affixed on the product(s) accordingly to the ECM regulation about its release and its use. The regulation can be found at www.entecerma.it. This Certificate of Compliance can be checked for validity at www.entecerma.it

This verification doesn't imply assessment of the production of the product(s).

Additional information, clarification about the CE Marking:



We attest that a TCF for the CE Marking process is in place. Whereas the Manufacturer is Responsible to start the **CE Marking Certification Procedure** and to perform all the necessary activities, as required by the Directive before placing the CE Mark on the product(s).

Date of issue 28 December 2017

Expiry date 27 December 2022

Chief Manager
Marta Morina

Deputy Manager
Amanda Payne

Ente Certificazione Macchine Srl

Via Ca' Bella, 243 - Loc. Castello di Serravalle - 40053 Valsamoggia (BO) - ITALY
☎ +39 051 6705141 📠 +39 051 6705156 ✉ info@entecerma.it 🌐 www.entecerma.it